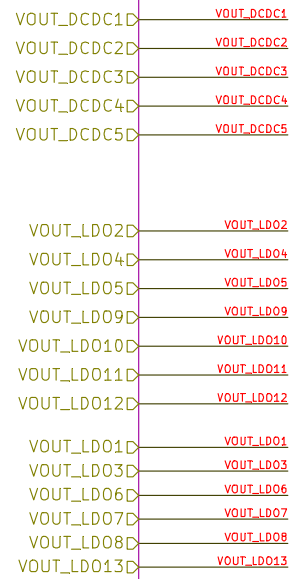
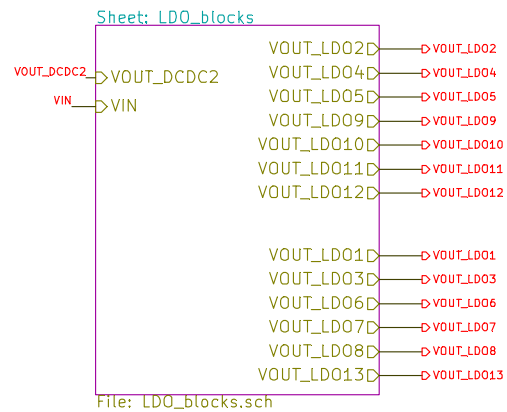
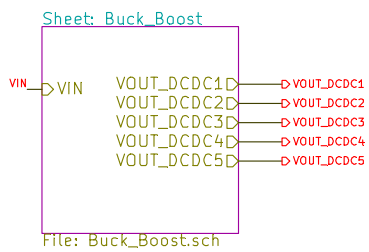
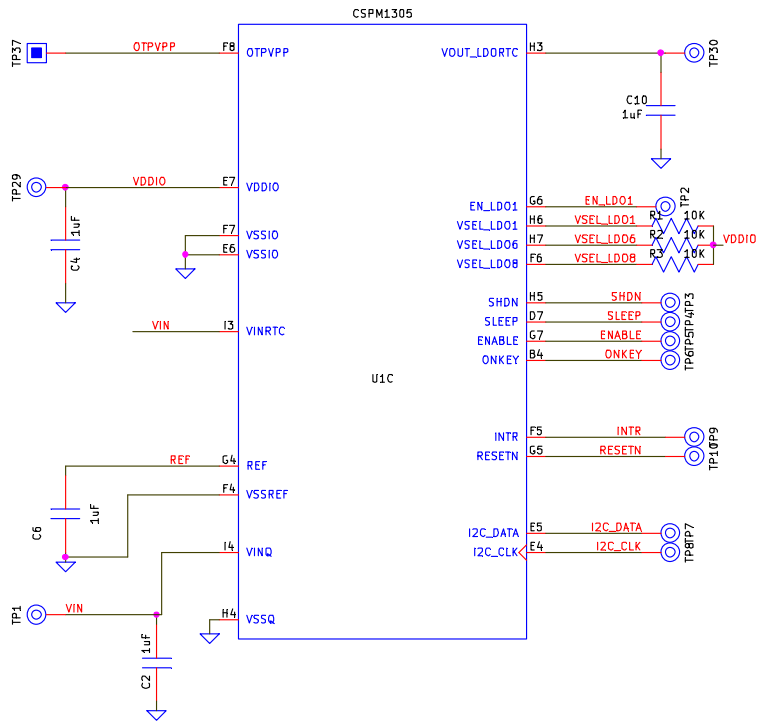


Sheet: Device\_Conn

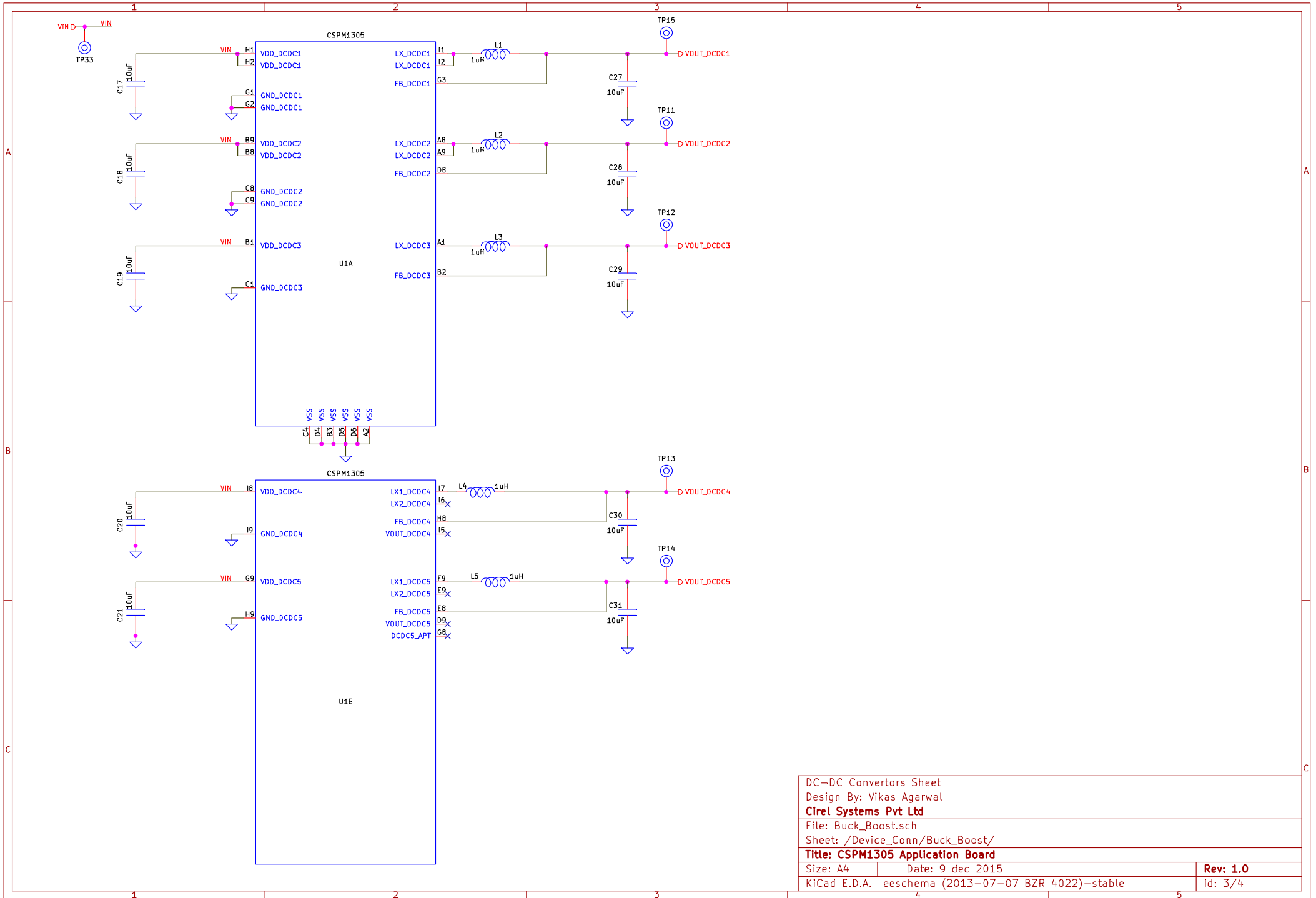


File: Device\_Conn.sch

Design By: Vikas Agarwal		
<b>Cirel Systems Pvt Ltd</b>		
File: DaughterBoard.sch		
Sheet: /		
<b>Title: CSPM1305 Application Board</b>		
Size: A4	Date: 9 dec 2015	<b>Rev: 1.0</b>
KiCad E.D.A. eeschema (2013-07-07 BZR 4022)-stable		Id: 1/4

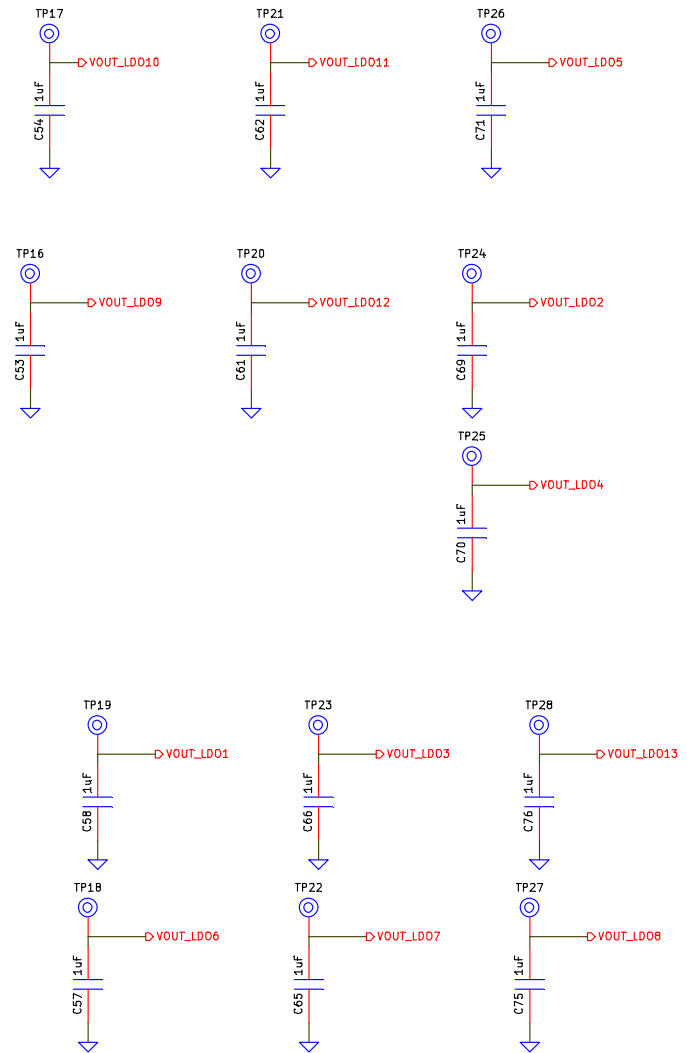
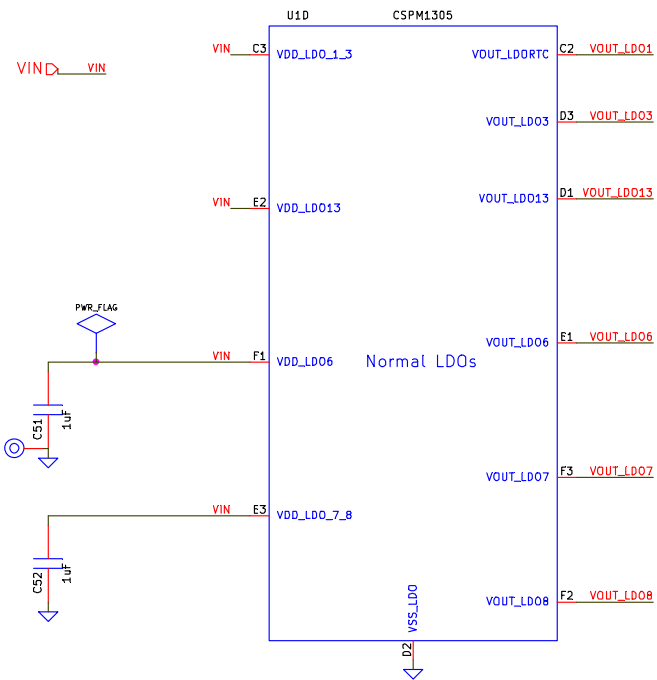
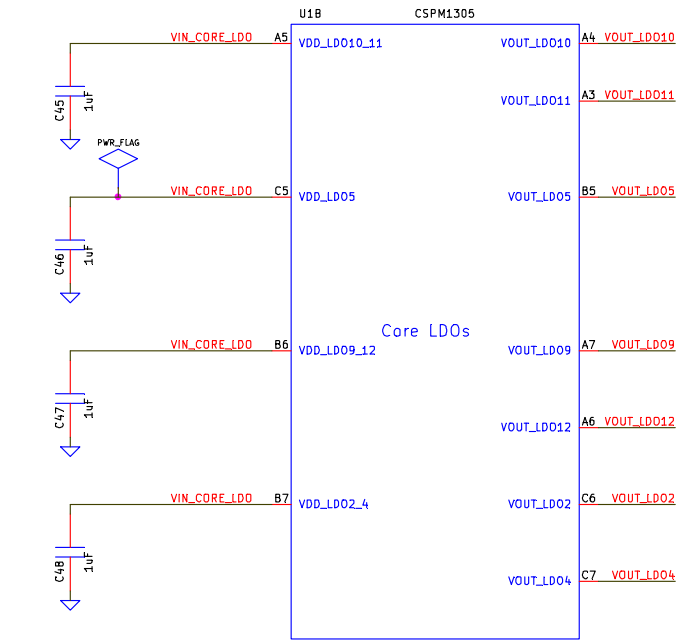


Shubh Device Sheet		
Design By: Vikas Agarwal		
<b>Cirel Systems Pvt Ltd</b>		
File: Device_Conn.sch		
Sheet: /Device_Conn/		
<b>Title: CSMP1305 Application Board</b>		
Size: A4	Date: 9 dec 2015	<b>Rev: 1.0</b>
KiCad E.D.A. eschema (2013-07-07 BZR 4022)-stable		Id: 2/4



DC-DC Convertors Sheet		
Design By: Vikas Agarwal		
<b>Cirel Systems Pvt Ltd</b>		
File: Buck_Boost.sch		
Sheet: /Device_Conn/Buck_Boost/		
<b>Title: CSPM1305 Application Board</b>		
Size: A4	Date: 9 dec 2015	<b>Rev: 1.0</b>
KiCad E.D.A. eeschema (2013-07-07 BZR 4022)-stable		Id: 3/4

VOUT\_DCDC2 VIN\_CORE\_LDO



LDOs Sheet		
Design By: Vikas Agarwal		
<b>Cirel Systems Pvt Ltd</b>		
File: LDO_blocks.sch		
Sheet: /Device_Conn/LDO_blocks/		
<b>Title: CSPM1305 Application Board</b>		
Size: A4	Date: 9 dec 2015	<b>Rev: 1.0</b>
KiCad E.D.A. eschema (2013-07-07 BZR 4022)-stable		Id: 4/4