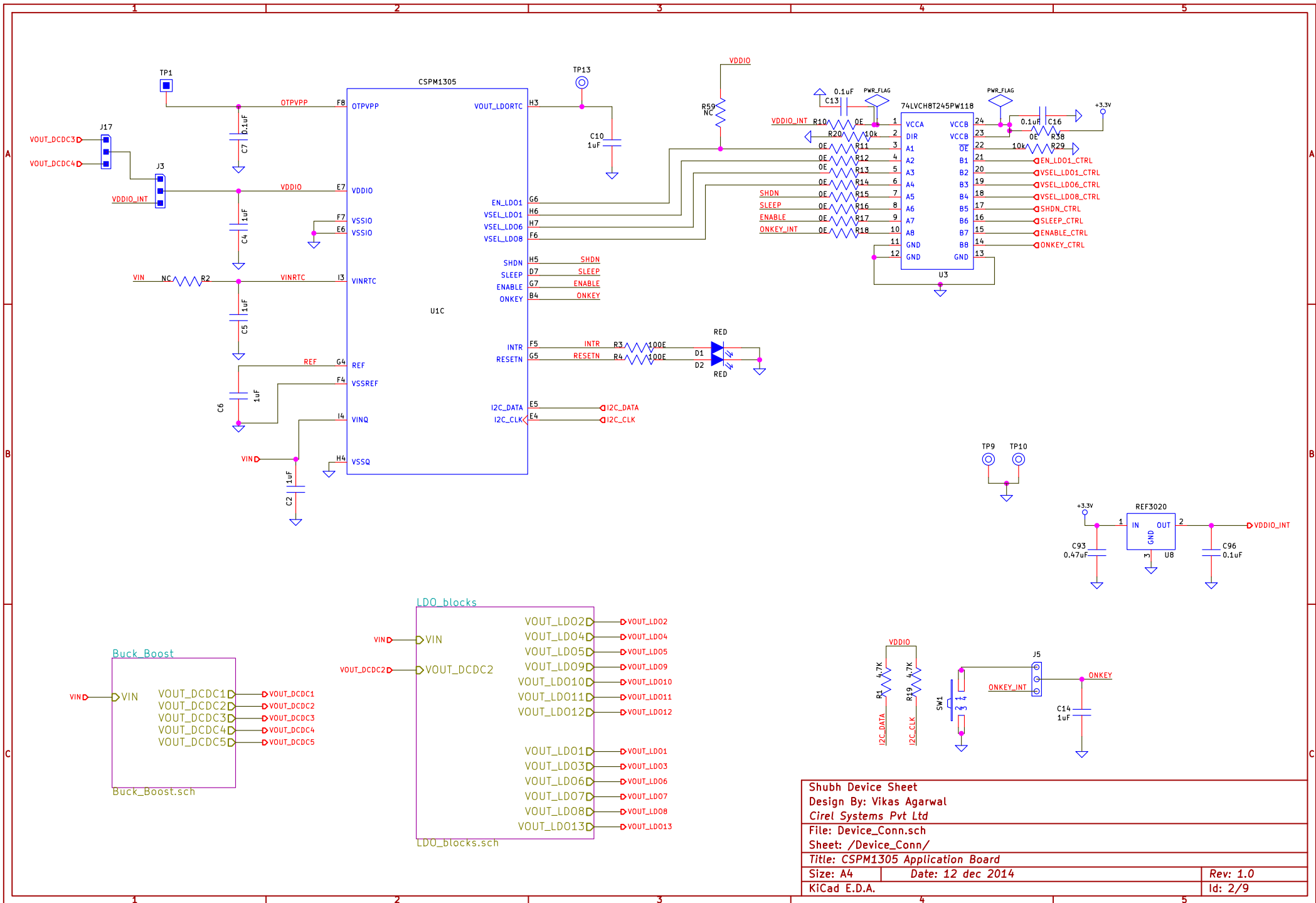
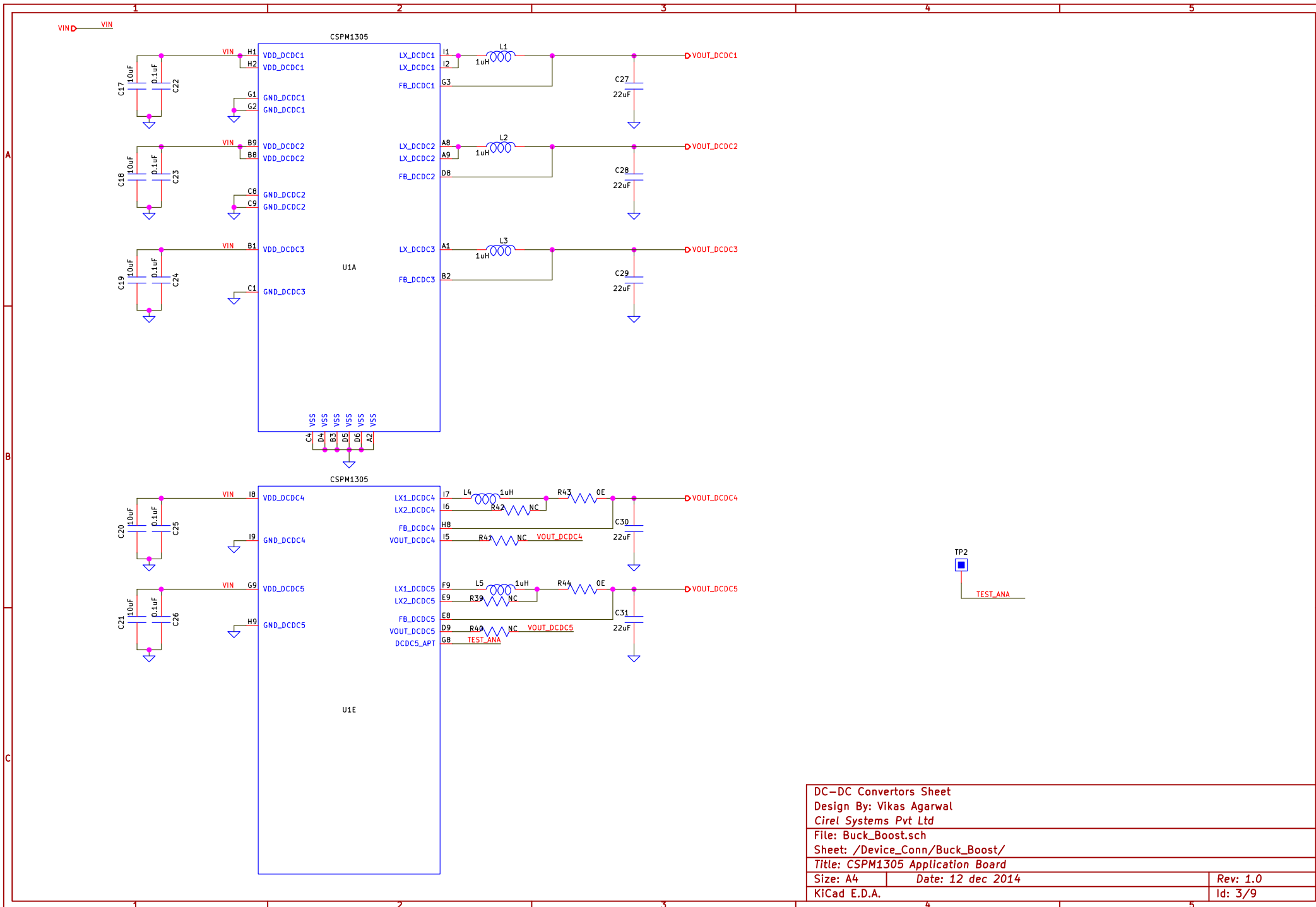


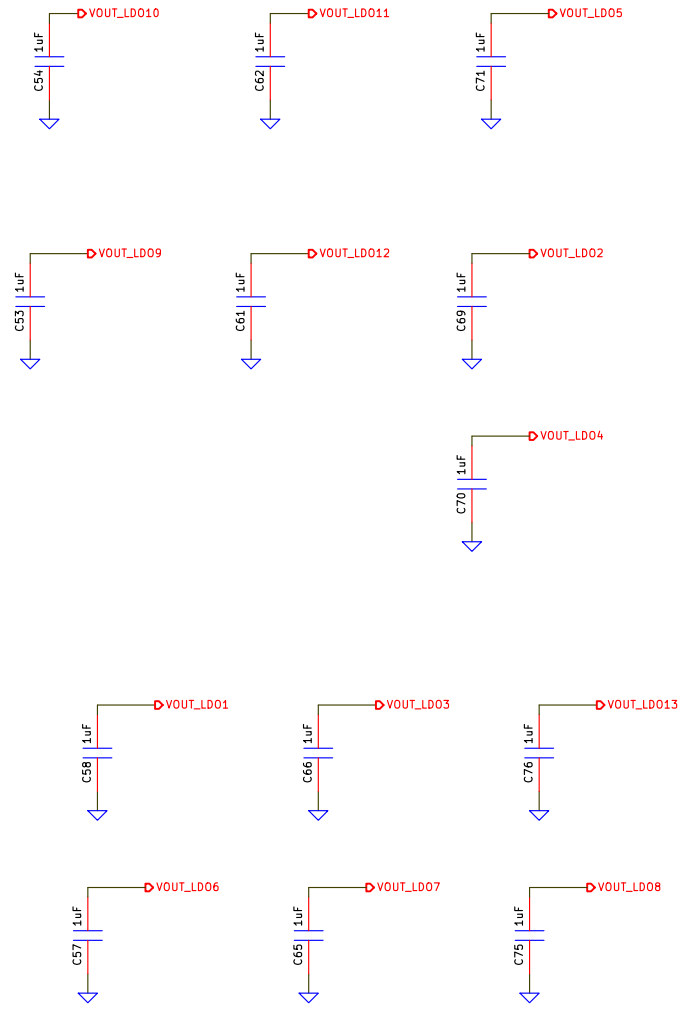
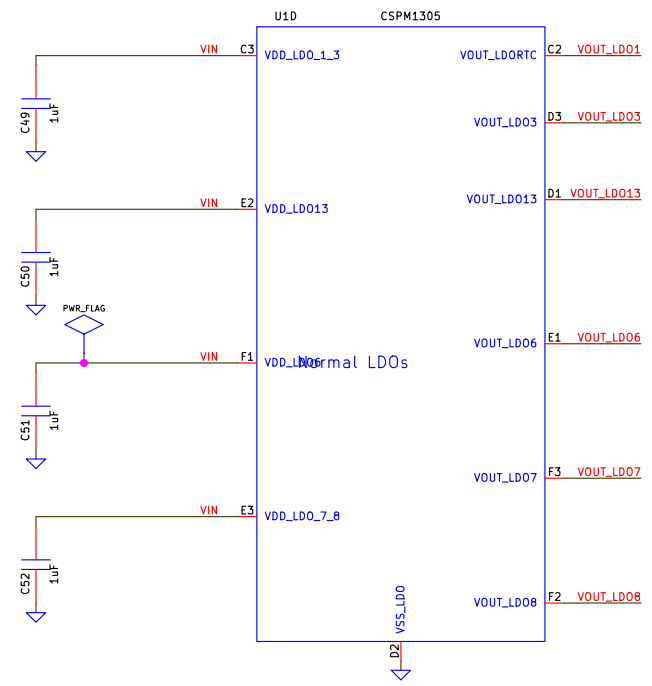
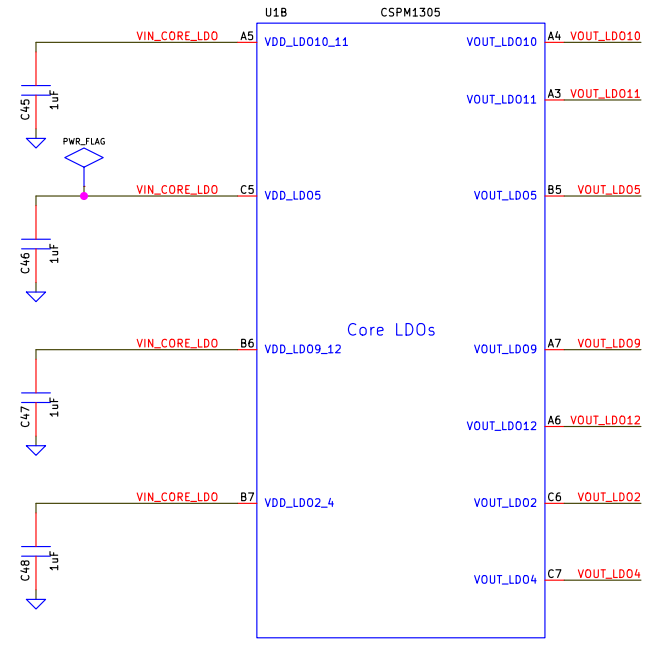
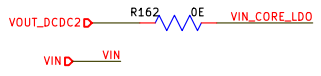
Design By: Vikas Agarwal		
Cirel Systems Pvt Ltd		
File: DaughterBoard.sch		
Sheet: /		
Title: CSPM1305 Application Board		
Size: A4	Date: 12 dec 2014	Rev: 1.0
KiCad E.D.A.		Id: 1/9



Shubb Device Sheet
 Design By: Vikas Agarwal
 Cirel Systems Pvt Ltd
 File: Device_Conn.sch
 Sheet: /Device_Conn/
 Title: CSMP1305 Application Board
 Size: A4 Date: 12 dec 2014
 KiCad E.D.A. Rev: 1.0
 Id: 2/9

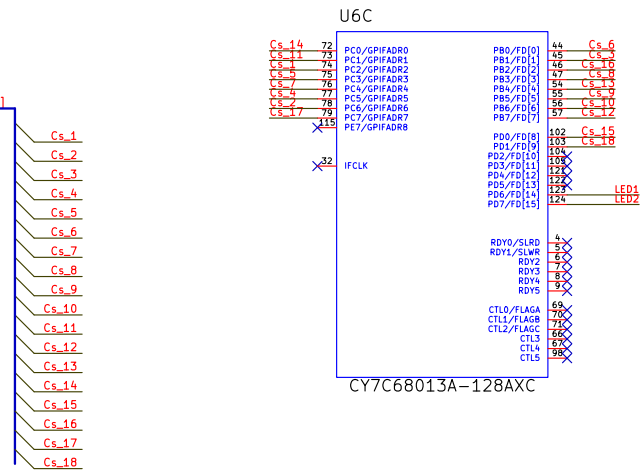
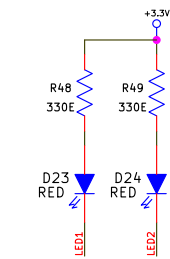
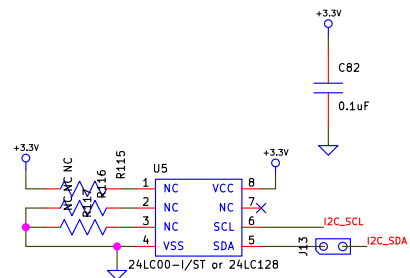
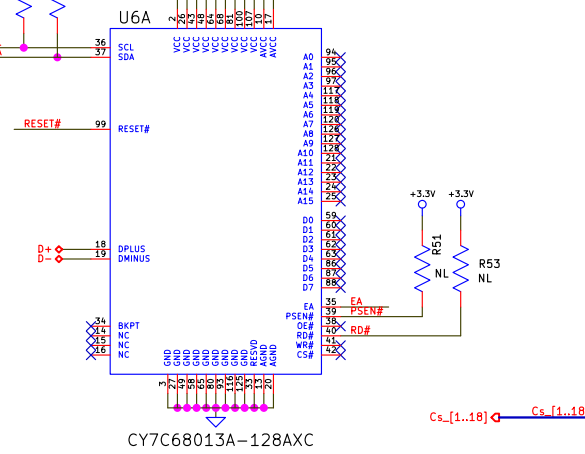
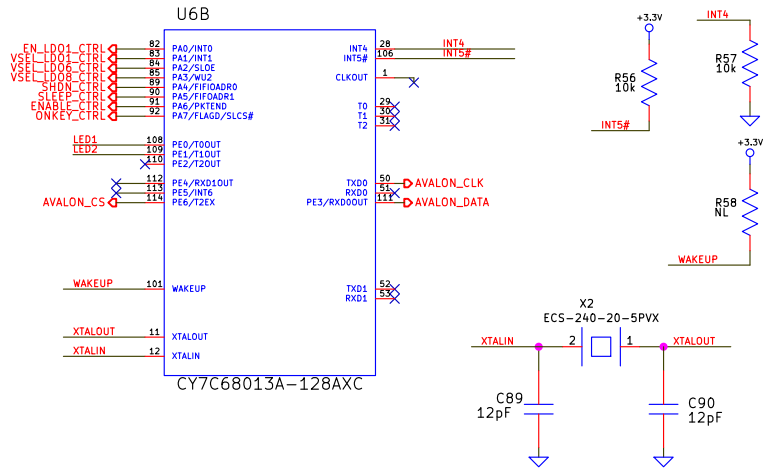
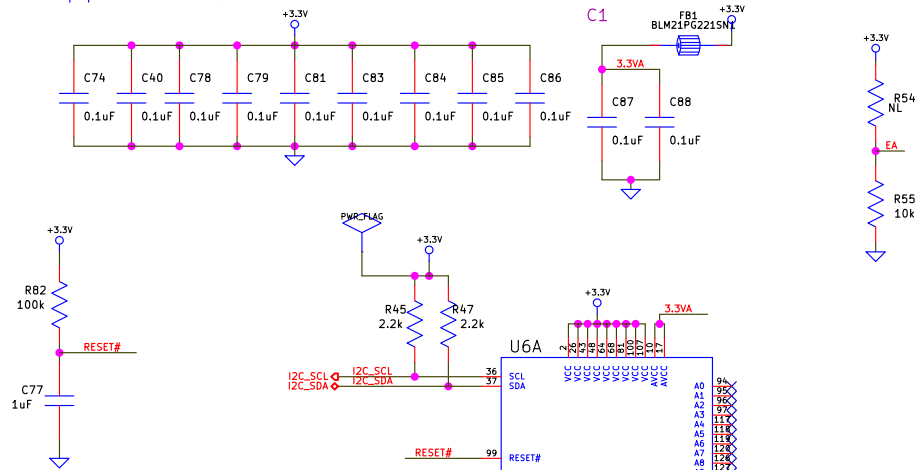


DC-DC Convertors Sheet		
Design By: Vikas Agarwal		
Cirel Systems Pvt Ltd		
File: Buck_Boost.sch		
Sheet: /Device_Conn/Buck_Boost/		
Title: CSPM1305 Application Board		
Size: A4	Date: 12 dec 2014	Rev: 1.0
KiCad E.D.A.		Id: 3/9



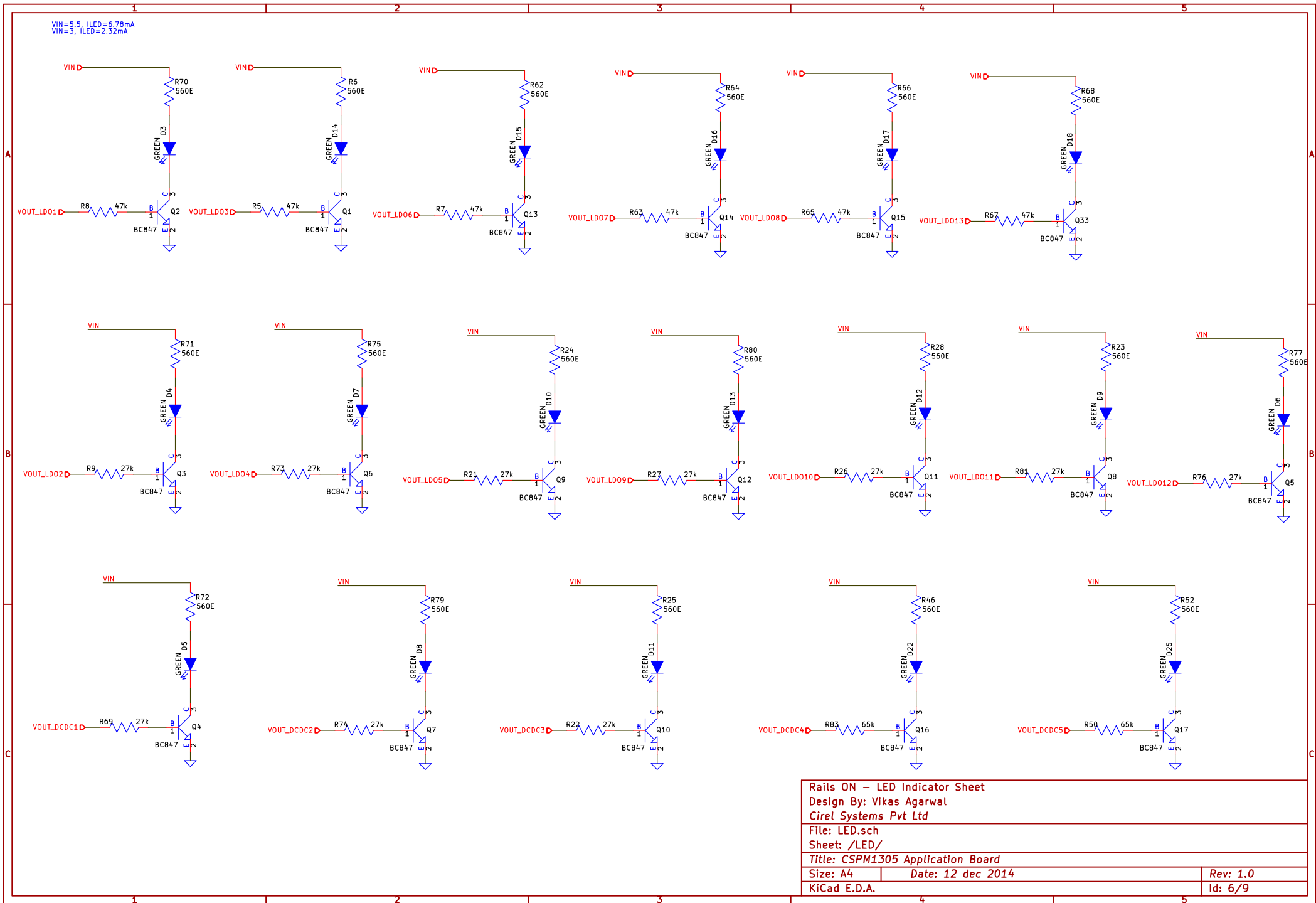
LDOs Sheet		
Design By: Vikas Agarwal		
Cirel Systems Pvt Ltd		
File: LDO_blocks.sch		
Sheet: /Device_Conn/LDO_blocks/		
Title: CSPM1305 Application Board		
Size: A4	Date: 12 dec 2014	Rev: 1.0
KiCad E.D.A.		Id: 4/9

Decaps place close to the USB uC



Microcontroller Sheet	
Design By: Vikas Agarwal	
Cirel Systems Pvt Ltd	
File: EZ-USB UC.sch	
Sheet: /EZ-USB UC/	
Title: CSPM1305 Application Board	
Size: A4	Date: 12 dec 2014
KiCad E.D.A.	Rev: 1.0
	Id: 5/9

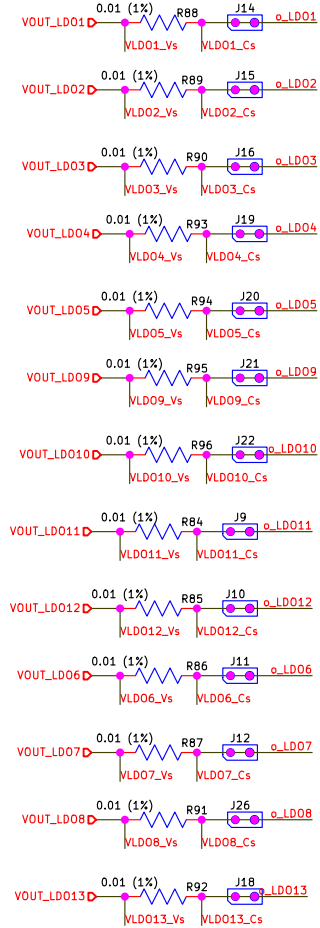
VIN=5.5, ILED=6.78mA
 VIN=3, ILED=2.32mA



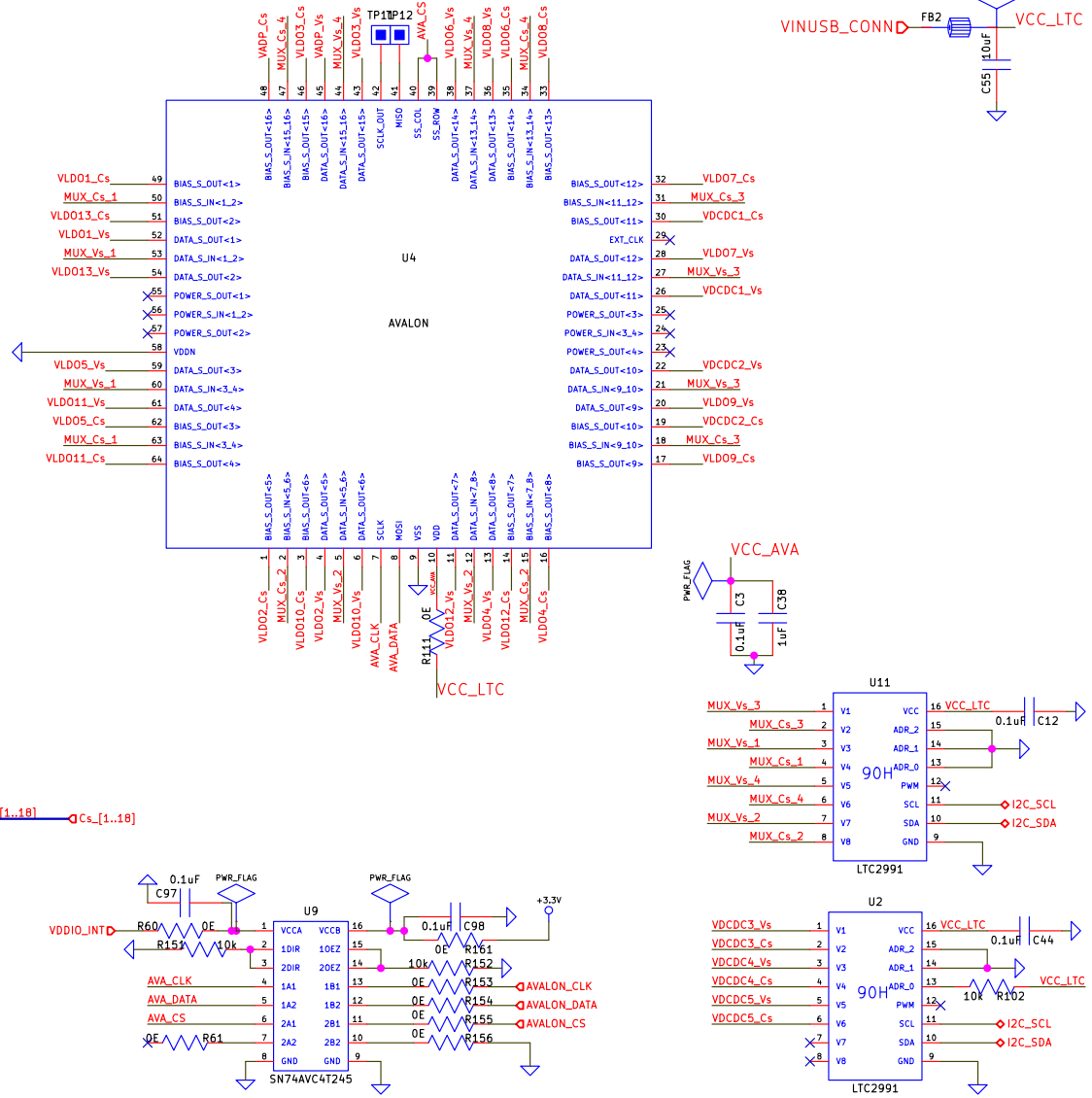
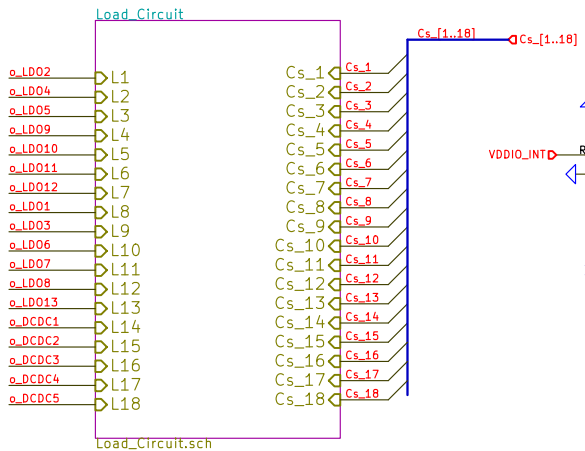
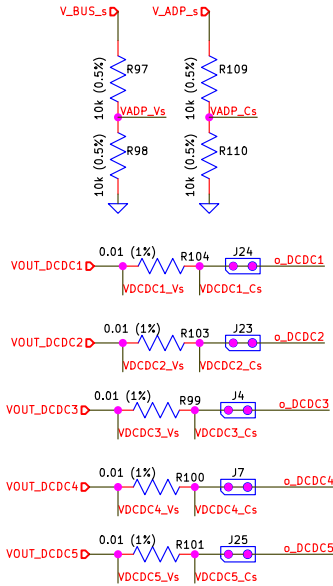
Rails ON – LED Indicator Sheet Design By: Vikas Agarwal Cirel Systems Pvt Ltd	
File: LED.sch Sheet: /LED/	
Title: CSPM1305 Application Board	
Size: A4	Date: 12 dec 2014
KiCad E.D.A.	Rev: 1.0 Id: 6/9

Sense Resistors for Power and performance Measurement

Sense Resistor of 10m. 19uV = 1 LSB of ADC
Current sense resolution = 2mA

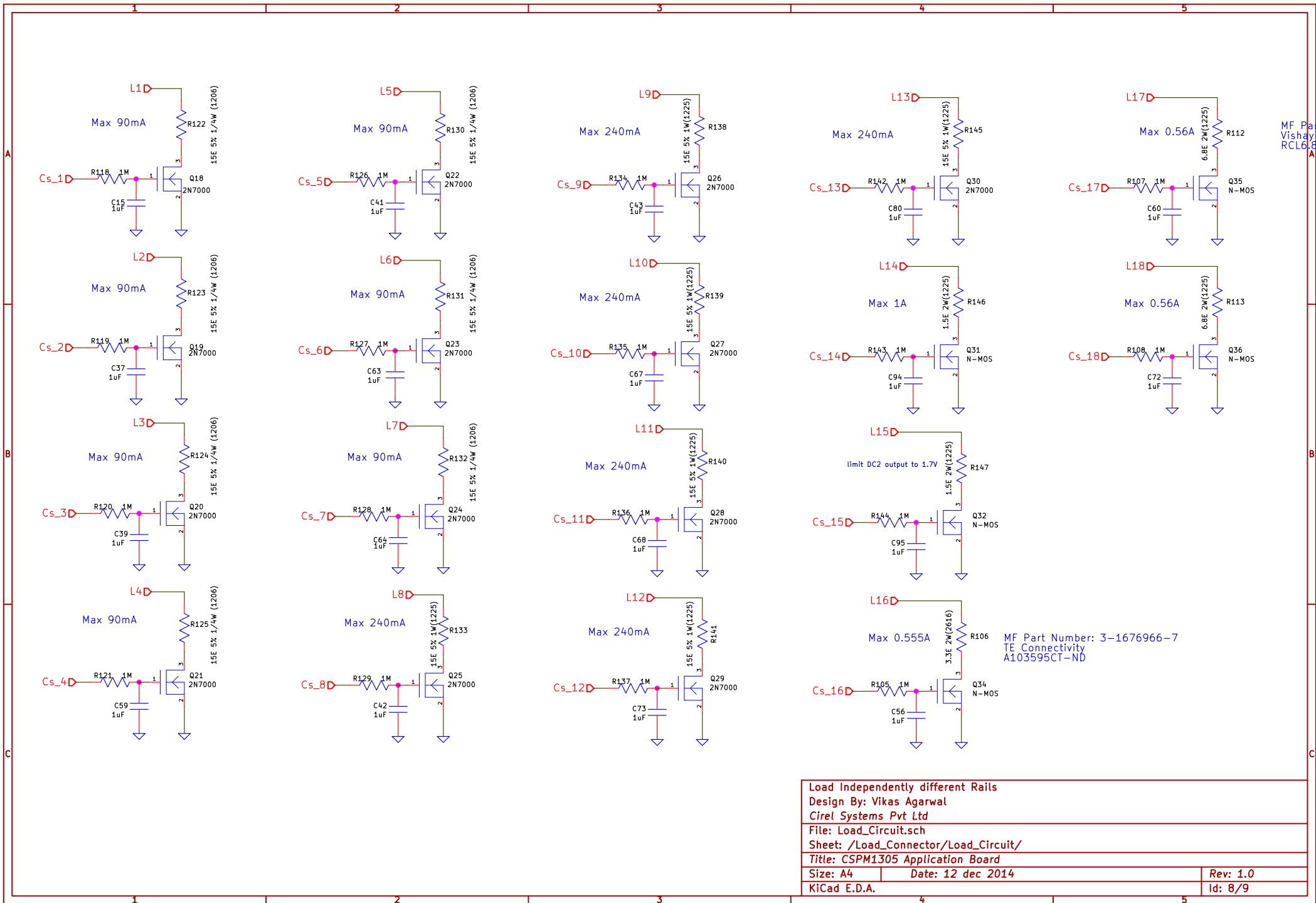


Dividing Voltage by 2



Instructions for sense lines routing
1.All signals coming from either side of the sense resistor should be differentially routed to the LTC2991

Telemetry (Measurement) Sheet	
Design By: Vikas Agarwal	
Cirel Systems Pvt Ltd	
File: Load_Connector.sch	
Sheet: /Load_Connector/	
Title: CSPM1305 Application Board	
Size: A4	Date: 12 dec 2014
KiCad E.D.A.	Rev: 1.0
	Id: 7/9



Load Independently different Rails	
Design By: Vikas Agarwal	
Cirel Systems Pvt Ltd	
File: Load_Circuit.sch	
Sheet: /Load_Connector/Load_Circuit/	
Title: CSPM1305 Application Board	
Size: A4	Date: 12 dec 2014
KiCad E.D.A.	Rev: 1.0
	Id: 8/9

Layout Constraints:

1. Check Micro USB Footprint – Done
2. Check all new Footprints – Done
3. Jumpers J14,J15,J16,J19,J20,J21,J22,J9,J10,J11,J12,J26,J24,J23,J4,J7,J25 should be in one line at one of the board edge – Done

Design By: Vikas Agarwal	
Cirel Systems Pvt Ltd	
File: Layout_Constraints.sch	
Sheet: /Layout_Constraints/	
Title: CSPM1305 Application Board	
Size: A4	Date: 12 dec 2014
KiCad E.D.A.	Rev: 1.0
	Id: 9/9